
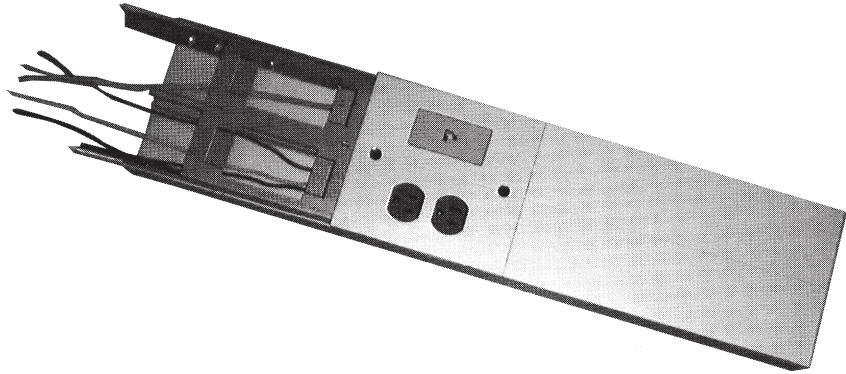


### Miscellaneous

CWD2000 Series Wall Duct . . . . .	Page 5.02 - 5.05
------------------------------------	------------------

Click on line to  
jump to  
desired page



**Conduflor™/Conduct™ CWD2000 Series****ALUMINUM SURFACE RACEWAY SYSTEM****FEATURES & BENEFITS**

- Attractive, durable, low profile, extruded aluminum construction. Clean, sleek appearance compliments the decor when used in office, medical, and institutional applications. Excellent for classrooms and computer rooms.
- Variety of finishes available, anodized, plain or painted. (Corrosion resistant) Standard finish is anodized, clear satin. Can be supplied plain for location painting, or anodized a variety of architectural colors to match existing decorative finishes.
- Unique two piece construction with integrated barrier. Designed with the barrier extruded into the channel, separating power and voice/data communication wiring. Uses 50% fewer parts per 100' than most other raceway systems.
- Snap on cover design allows for quick access and system expansions. Enables quick and easy circuit modifications and additions. Covers can also be mechanically fastened to the channel for security and tamper proof applications.
- Full range of directional and interconnecting fittings. Light weight aluminum design allows for easy installation and field modification. Assembles easily with internal screws and tabs to allow for continuous runs and continuity.
- Accepts most standard flush mounted receptacles and switches up to 30 amperes. Devices can be cover mounted, or on internal device brackets for specification grade and higher amperage applications. Standard blank, duplex, and decora covers available.
- Devices can be located and grounded anywhere along the raceway. Internal multi-purpose extruded slots allow for device bracket, connector tab, ground screw, and wire retainer installation anywhere along the inside of the channel body.
- CSA and NRTL/C listed for use in Canada and the United States. Certified to CSA Standard C22.2 No. 62-93 - Surface Raceway Systems, and ANSI/ UL Standard No. 5 - Surface Metal Raceways and Fittings.

## **PART 1 - GENERAL**

### **1.10 DESCRIPTION**

1. Commercial Roll's Two Compartment Aluminum Raceway System, Series CWD2000. Consisting of:
2. 1) BASE SECTION - CWD2000B C/W INTEGRATED BARRIER.  
2) COVER SECTION - CWD2000CSC.
3. The BASE section shall be nominally 10' long (3m) x 1.625" deep (41mm) x 5.5" wide (140mm), complete with an integrated barrier extruded into the center of the profile.
4. The SNAP-ON COVER section shall be nominally 5' long (1.5m) x 5.5" wide (140mm), complete with a grooved registration detail extruded into the center of the profile.
5. Continuous "grounding" and "connector" channels shall be extruded lengthways into the base and cover.

### **1.20 SUBMITTALS**

1. SHOP DRAWINGS (catalog cuts):
  - A. Material sections of base and cover.
  - B. Device brackets and covers.
  - C. Fittings, end plates and accessories.
  - D. Internal area descriptions and wire fill capacity chart.

## **PART 2 - PRODUCTS**

### **2.10 MATERIALS**

1. The BASE section shall be manufactured of 6063-T5 aluminum alloy with a nominal material thickness of .075" (1.90mm) and the surface finish shall be satin anodized #201 type clear, AA-A212 Designation, and a minimum finish of 0.2 mil..
2. The COVER section shall be manufactured of 6063-T5 aluminum alloy with a nominal material thickness of .100" (2.54mm) and the surface finish shall be satin anodized #201 type clear, AA-A212 Designation, and a minimum finish of 0.2 mil..
3. Internal CONNECTOR and DEVICE plates shall be manufactured of Code Gauge Commercial Quality Galvanized Steel as per ASTM A-525 and A-526.
4. All hardware supplied, (ie screws, nuts, and washers etc.) shall be Zinc Plated in accordance with Federal Specification No. QQ-Z-325-B and/or ASTM Specifications No.A164, A123-84.

### **2.11 COVERS**

1. Where raceway covers pass through walls, floors, or ceilings, the covers shall be cut on both sides of the wall, floor, or ceiling to permit removal of the covers on each side of the obstruction.
2. Blank covers shall be supplied in nominally 5' long (1.5m) sections.
3. Device covers shall be supplied in nominally 6" long (150mm) sections with Blank, Duplex or Decora shaped openings (typical of NEMA 5-15/WD-1) either single, double or combination. Devices are provided by others as specified. Standard center to center dimensions for receptacle openings shall be 6" (150mm) or 12" inch (300mm).
4. Optional 6 inch long (150mm) covers are available with custom device patterns as specified. (consult factory)

### **2.12 INSTALLATION**

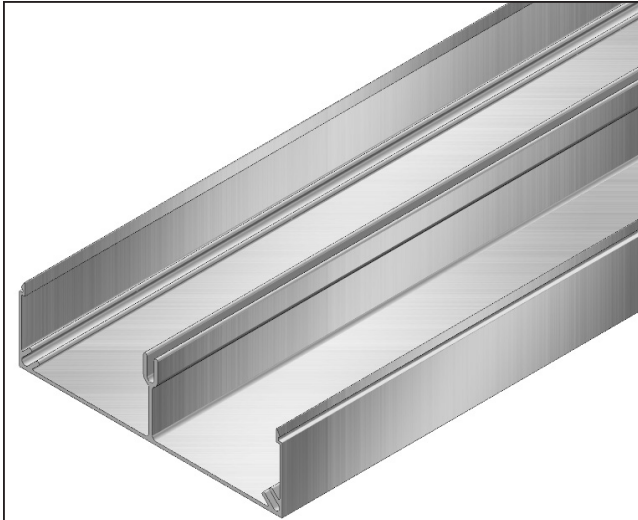
1. The electrical contractor shall furnish and install all surface metal raceways complete with appropriate fittings. All fittings shall be furnished by the raceway manufacturer Commercial Roll.
2. The electrical contractor shall provide grounding as per the National Electrical Code and local codes.
3. All surface metal raceways shall be installed parallel with, and perpendicular to, the structure. All exposed edges, where field cut, shall be coated by the electrical contractor to prevent corrosion.
4. Field cut straight cover sections between specific device covers if necessary.
5. All raceways shall be electrically continuous, tested and certified to CSA Standard C22.2 No. 62-93 and ANSI/ UL Standard No. 5.

### **2.13 SUPPLY THE FOLLOWING MATERIAL FOR THIS PROJECT**

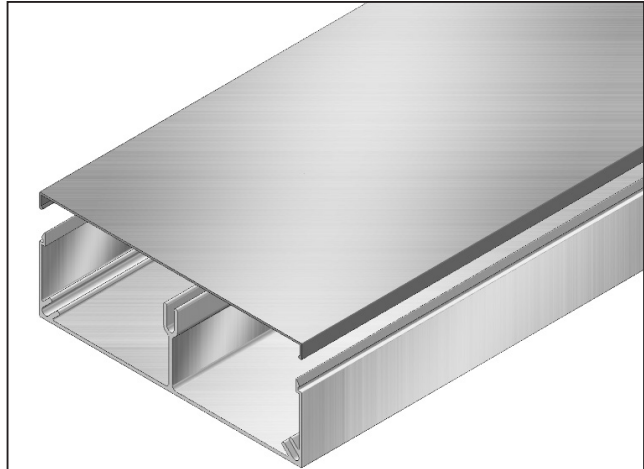
1. 10' BASE SECTIONS CWD2000B C/W COUPLINGS CWD2000BC.
2. 5' BLANK COVER SECTIONS CWD2000CSC.
3. 6" DEVICE COVERS CWD2000DC-DUPLEX / DECORA / BLANK (see selection chart).
4. DEVICE MOUNTING BRACKETS CWD2000DB.
5. MANUFACTURED FITTINGS (Consult local representatives as to components required to complete installation.)

## **PART 3 - MANUFACTURER**

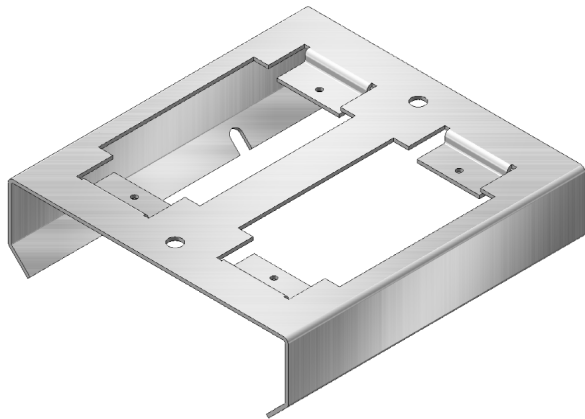
1. CWD2000 Aluminum Raceway System shall be manufactured by Commercial Roll.



**CWD2000B 10' Body Section** - Extruded Aluminum

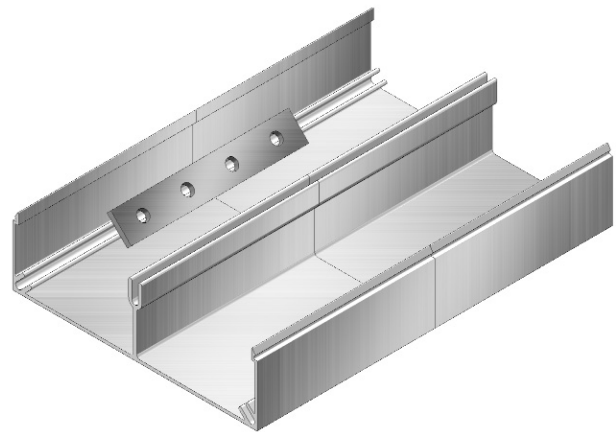


**CWD2000CSC 10' Cover Section** - Extruded Aluminum



**CWD2000RB Receptacle bracket**

Holds two receptacles.  
Comes complete with hardware and ground screws.



**CWD2000BC Base Coupling (pair)**

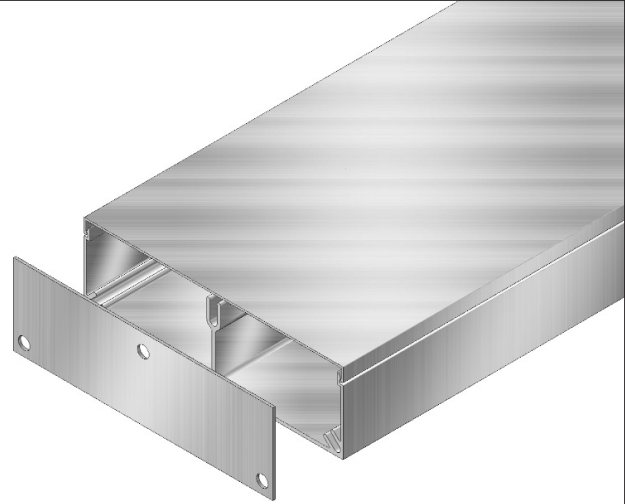
Comes complete with hardware.

**CWD2000IEL**  
90° INSIDE ELBOW



**CWD2000OEL**  
90° OUTSIDE ELBOW

Other fittings available  
consult factory.



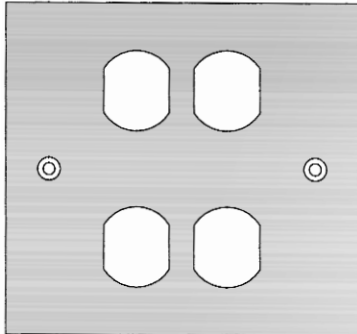
**CWD2000 BE**  
End plate blank.

**CWD2000 BEKO**

End plate blank  
with two 1/2 / 3/4 knockouts.  
Hardware included.

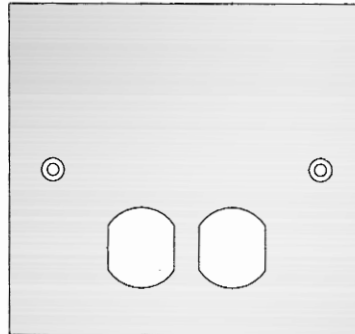
**CWD2000RC-1**

Double duplex cover.



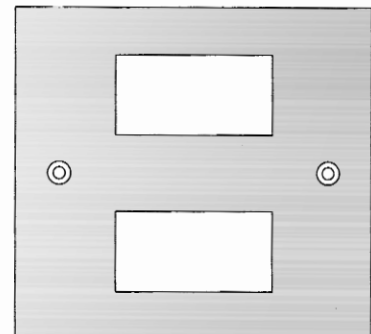
**CWD2000RC-2**

Single duplex cover.



**CWD2000RC-3**

Double decora cover.



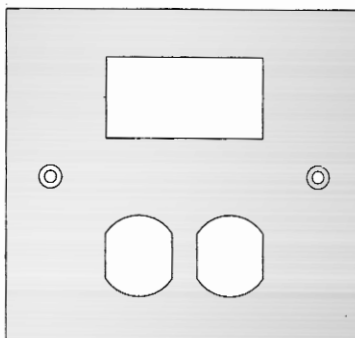
**CWD2000RC-4**

Single decora cover.



**CWD2000RC-5**

Combination cover.



**CWD2000RC-6**

Blank cover.



For extra ground screws and cup washers order CWD2000GRND pack of five.